



INTEG M HYBRID INVERTER

Solinteg MHT-4~20K Hybrid Inverter



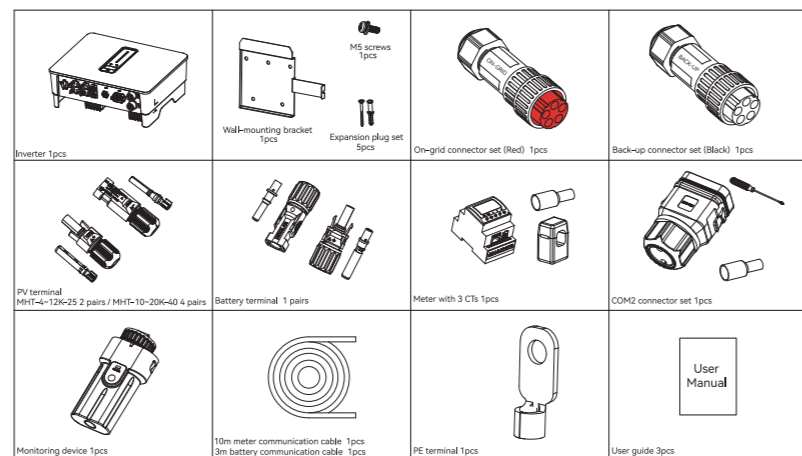
Quick Installation Guide

ENGLISH VERSION

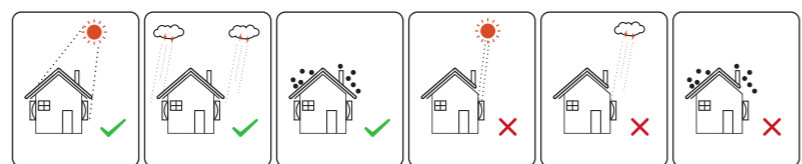
Part 1 Installation Part 2 Electrical Connection

1 Installation

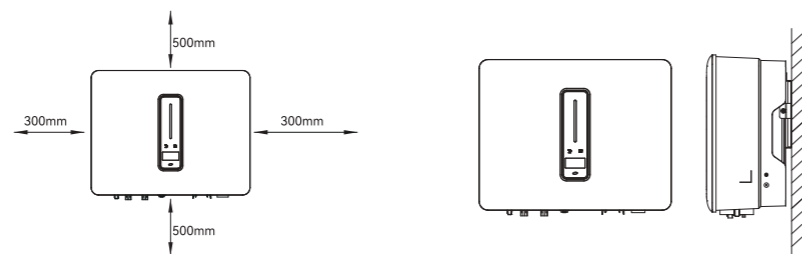
A Check Packing List



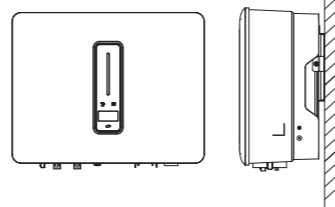
B Installation Location



C Installation Space

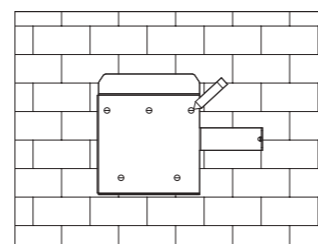


D Installation Angle

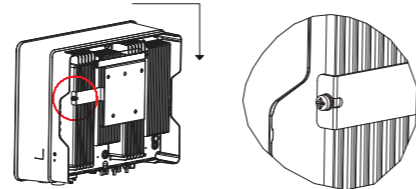


Part 1 Installation Part 2 Electrical Connection

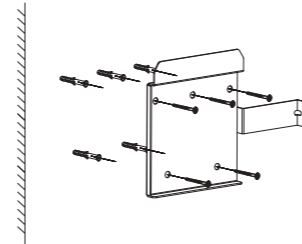
E Mark the Position and Drill Holes



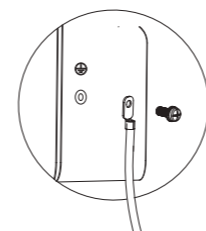
G Mounting Inverter



F Fix Wall Bracket



H Grounding Terminal Connection



2 Electrical Connection

A Cable Requirements

Cable types	Cable requirements	
	Outside diameter	Conductor core section
AC cable	13.0-18.0 mm	2.5-10.0 mm ²
PV cable	5.9-8.8 mm	2.5-4.0 mm ²
Battery power cable	5.0-8.0 mm	10 mm ²

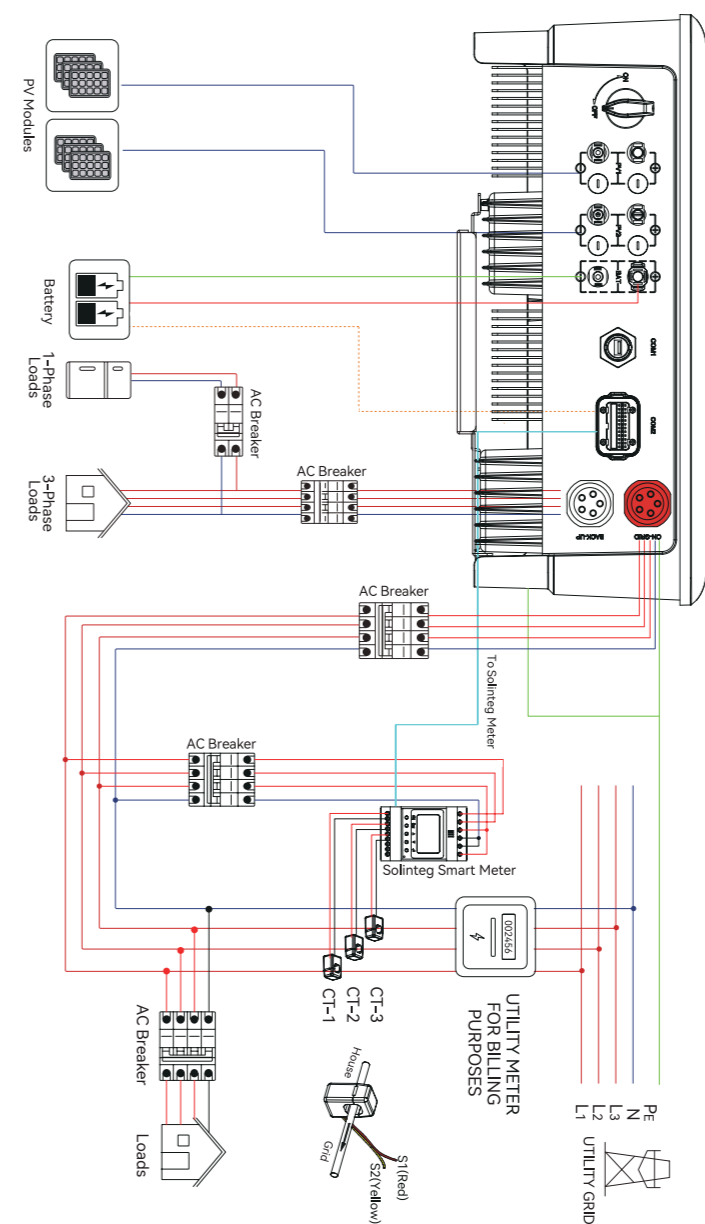
AC cable: On-grid side uses a five-core cable (L1, L2, L3, N, and PE). Back-up side uses a four-core cable (L1, L2, L3, N).

AC Connector: Please distinguish the on-grid and back-up connector, On-grid connector is red and Back-up connector is Black.

Battery power cable: If the conductor core of the battery cable is too small, which may cause poor contact between the terminal and the cable, please use the cable specified in the above table, or contact Solinteg to purchase terminals of other specifications.

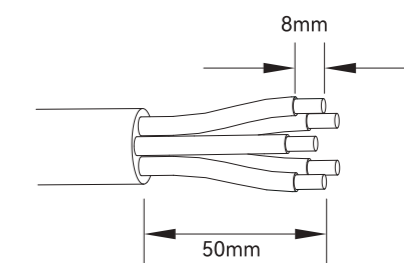
Part 1 Installation Part 2 Electrical Connection

B Electrical Wiring Diagram

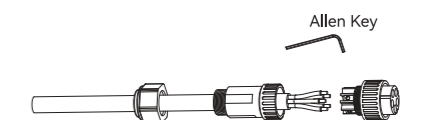


Part 1 Installation Part 2 Electrical Connection

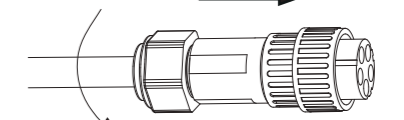
C AC Connection



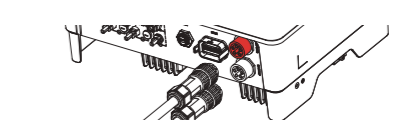
①



②

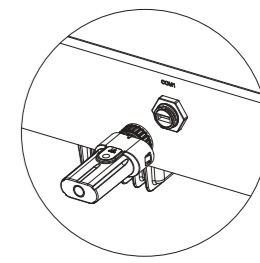


③

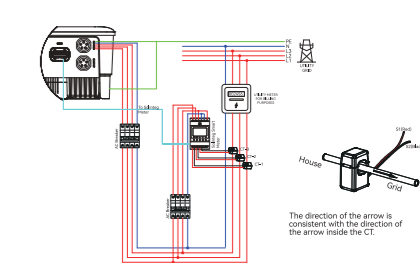


④

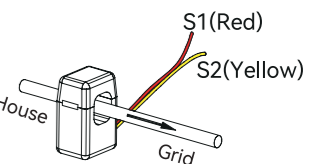
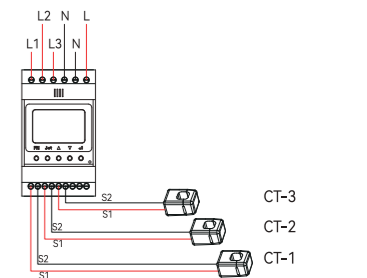
D Monitoring Device Installation



E Meter and CT Connection



The direction of the arrow is consistent with the direction of the arrow inside the CT.



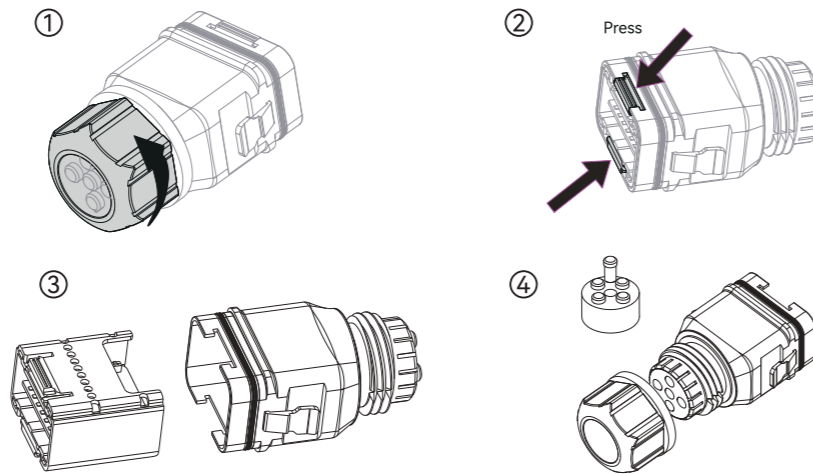


Part 1 Installation Part 2 Electrical Connection

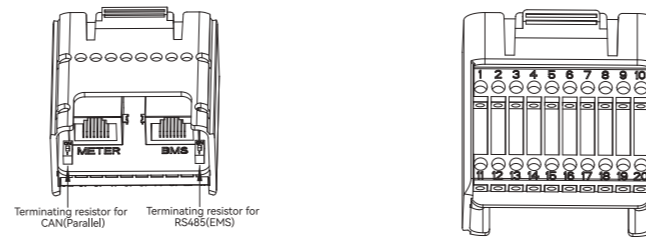
Meter Terminals Definition

No.	Definition	Function
5	L1-S1	To detect the CT current and direction
6	L1-S2	
7	L2-S1	
8	L2-S2	
9	L3-S1	
10	L3-S2	
1	L1	L1/L2/L3/N connect to grid to detect power grid voltage
2	L2	
3	L3	
4	N	
12	L	Power supplied from grid
13	N	
RS485	RS485	Communicate with inverter

F Communication Connection

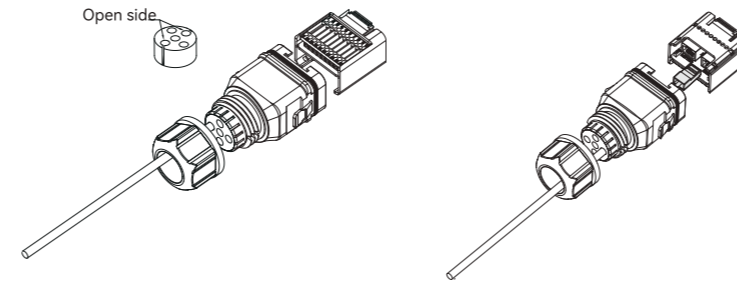


Part 1 Installation Part 2 Electrical Connection



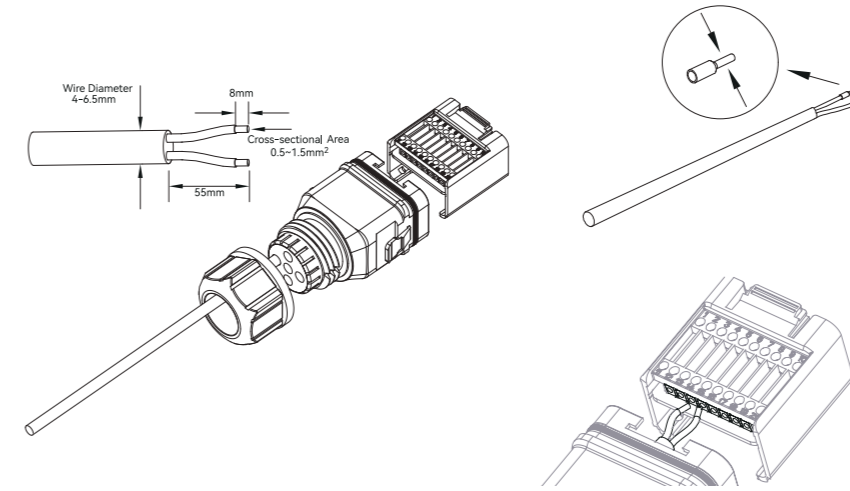
Pin	Definition	Function
RJ45-1	RS 485	Communicate with Meter
RJ45-2	CAN	Communicate with BMS
1	COM	Multifunction Relay
2	NO (Normally Open)	
3-4	/	Reserved
5	DRM4/8	
6	DRM3/7	DRED For Australia and New Zealand
7	DRM2/6	
8	DRM1/5	
15	COM D/0	
16	REF D/0	Reserved
9-10	/	
11	Fast stop +	Fast stop
12	Fast stop -	
13	485 B1	EMS
14	485 A1	
17	CANL_P	CAN for parallel connection of inverters
18	CANH_P	
19-20	/	Reserved

Connect the Meter and BMS Communication Cables

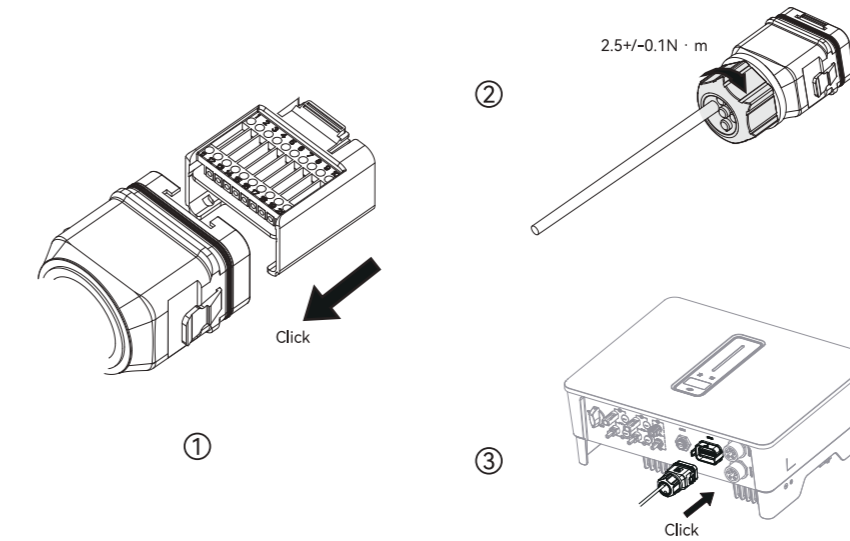


Part 1 Installation Part 2 Electrical Connection

Connect Other Cables

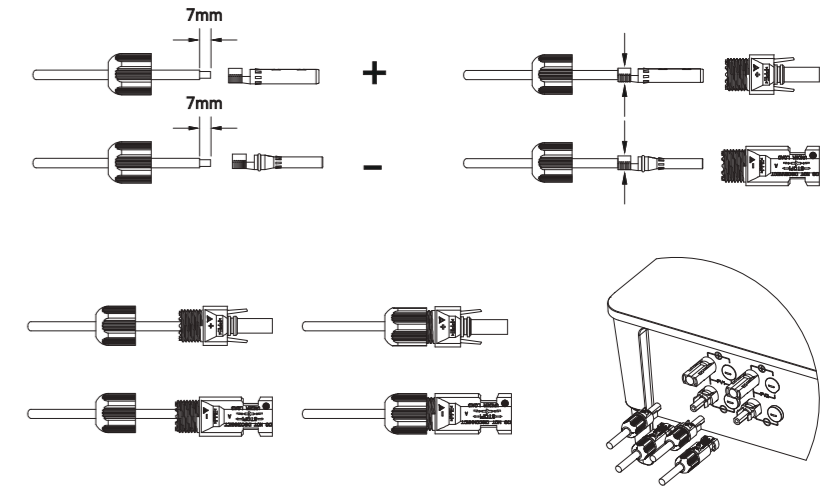


Installing the COM Connector



Part 1 Installation Part 2 Electrical Connection

G PV String Connection



H Power Cable of the Battery Connection

